

Bird Gard[®] **SUPER PRO AMP**

User's Manual

- Enhanced Fidelity and Dynamic Range
- Multi-Function Display
- USB Sound Upload
- Temporary Mute Button



*****See our Bird Gard Super Pro Amp installation video on our Bird Gard YouTube channel at: <https://www.youtube.com/watch?v=aIMK7N-EOZk>**

(Note: The video shows a previous version of the Bird Gard Super Pro AMP, but the installation is the same as shown.)



Table of Contents

Table of Contents	2
Overview	3
Bird Control Management Guidelines	4
Materials List	5
Assembly	6
Control Unit	6
Solar Panel	6
Placement	7
Building a Mounting Pole of Mast	8
Installation***	9
20-Speaker Tower	9
Solar Panel	9
Control Box	10
Solar Panel Connections	10
Control Box Settings	11
Recordings	11
Mode Settings	11
LED Display and Mute Button	12
Updating Bird Deterrent Sounds	13
Troubleshooting	14
Warranty	14



Overview

Bird Gard utilizes the innate power of the natural survival instincts of birds to effectively repel them. New, enhanced fidelity and dynamic range digital recordings of distressed and alarmed birds, along with the sounds made by their natural predators are broadcast through weather-resistant speakers over the top of crops. This triggers a primal fear and flee response. Pest birds soon relocate to where they can feed without feeling threatened.

Your Bird Gard Super Pro Amp system consists of:

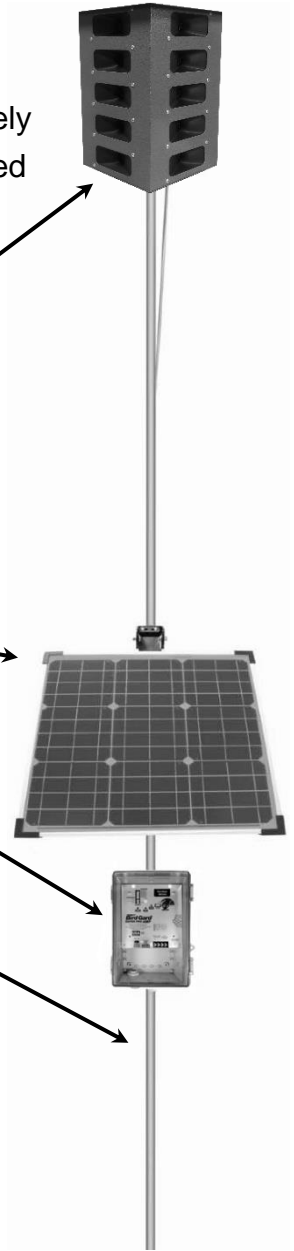
20-Speaker Tower broadcasts the bird sounds

Solar Panel recharges the 12-volt deep cycle battery

Control Unit produces the bird sounds and contains
all operational controls

Items needed but not included:

- (1) **Mounting Pole** or **Mast** tall enough to raise the 20-Speaker Tower 5-10 feet above the top of the crops, trees or other obstructions.
- (1) **12-volt Deep Cycle Battery** (RV/Marine) Group 27 or larger wet cell
- (1) **T-Post** (Optional) may be needed to support the mounting pole.
- (1) **Bailing Wire or zip-tie** (Optional) may be needed to secure the Mounting Pole to the T-Post



CAUTION: BIRD GARD SUPER PRO AMP IS CAPABLE OF PRODUCING SOUNDS UP TO 125 DECIBELS. PROPER HEARING PROTECTION MUST BE WORN ANYTIME THE UNIT IS TURNED ON.





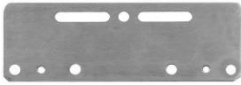







Bird Control Management Guidelines

An active bird control management program is the key to successfully repelling pest birds. Bird feeding patterns may take several days or weeks to break. Follow all suggestions for maximum effectiveness. **Read all instructions prior to installation.** For best results:

- It is extremely important to have full sound coverage over the entire area needing protection. Any areas not fully protected will allow birds to begin feeding at the fringes of the sound coverage. They will soon become bolder and learn that the sounds do not pose a real danger. This will cause the effectiveness to diminish. Complete Bird Gard coverage forces birds to leave the protected area entirely.
- Install the Bird Gard unit at least two weeks before the crop begins to change color and birds are attracted to it. It is much easier to keep the birds away before they have found a food source than it is to repel them once they have developed a feeding pattern.
- Most birds begin feeding from the outside perimeter of a crop. Place Bird Gard units so that sound protection covers all the way to the edge of the crop and beyond if possible.
- Birds will often use nearby trees, power lines, tall grasses or wetlands for roosting and observation. If birds are in bordering areas, it is necessary to position the units as close as possible to these areas. If birds are roosting in the trees at night, the Time of Operation for units in or near the trees should be set to 24 Hours. A second solar panel and/or battery may be needed if the unit is run in 24-hour mode for more than a few days.
- Mount speakers at least five feet above trees, crops and structures for maximum coverage. Sound will disperse or reflect off structures or foliage. Mount control unit out of direct sun, if possible. Tall orchards may require speakers both under the canopy and above it.
- It is always best to run the Bird Gard units at High volume and on the Short time off setting. This ensures maximum “bird stress” and creates a hostile environment.
- Watch for changes in bird activity and readjust speaker locations accordingly. Check power source and unit settings often to insure continuous bird control. Be certain that the system is turned On, set at High volume, and that the battery has a good charge during crucial times.
- Remember that the Bird Gard system is a management tool and should be used as part of your overall bird control strategy, sometimes in conjunction with other bird control techniques and devices.
- The key to success with all Bird Gard products is correctly matching the right combination of bird distress and predator bird sounds to your specific bird control problem. If you are not satisfied with the results you are getting, we may be able to make recommendations that could dramatically improve your results.
- Be aware that under extreme drought or other adverse conditions, birds will disregard all deterrents and risks in order to survive.
- Always turn the Power switch on the unit to the Off position PRIOR to disconnecting it from the power source, or in the event of a power outage.
- If you have any questions about the use or operation of your Bird Gard product call us toll-free at 888-332-2328 Monday – Friday 7:30 am – 4:00 pm Pacific Time.

Materials List

Item	Qty		Notes
Bird Gard Super Pro Amp Control Box	1		<ul style="list-style-type: none"> Enhanced Fidelity and Dynamic Range Multi-Function Display USB Sound Upload Temporary Mute Button
Bird Gard USB Stick	1		Enclosed with User's Manual
20-Speaker Tower	1		Powder-Coated Electro-Galvanized Steel
Control Box Mounting U-Bolts	2		1/4" x 1" x 2"
Control Box Brackets	2		
45-Watt Solar Panel	1		
Solar Panel Mounting Bracket assembly and hardware	1		
Control Box Connector Cable	1		2 Wire - 10 ft. Long
Solar Panel Mounting U-Bolts	2		1/4" x 1-1/8" x 2"
Battery Box	1		Recommended Group 27 Battery (not included)

Assembly

Note: You will find it easier to pre-assemble the following components prior to installation in the field.

Control Unit

1. Lay the Control Unit face down.
2. Attach the two Control Box Mounting Brackets to the back with the included screws (Figure 1).

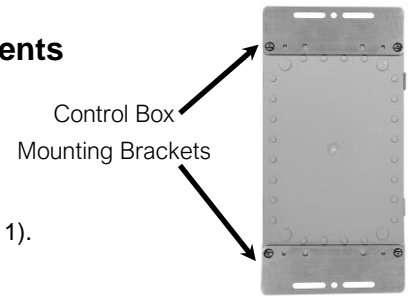


Figure 1

Solar Panel Installation and Tilting Instructions

<p>Installation Instructions</p> <ol style="list-style-type: none"> 1. Figure 1. Insert 2 x T-Nuts into the frame on the 2 short edges of the panel. 2. With T-Nuts inserted into the frame place the bracket across the back of the panel seen in Figure 2. 3. Figure 3. Use the screws, washers and lock washers to fasten the bracket to the panel 	<p>Figure 2</p>
<p>Pole Bracket Mounting Components</p> <ul style="list-style-type: none"> · A: Tilting Mounting Bracket · B: 4 x Lock Washers · C: 4 x T-Nuts · D: 4 x Washers · E: 4 x Screws 	<p>Figure 3</p>
<p>Figure 1</p>	

<p>Tilting Instructions</p> <ol style="list-style-type: none"> 1. To tilt the panel first remove the two small phillips head screws from either side of the bracket in Figure 1. 2. Figure 2. Tilt the bracket to the desired angle. Most applications should be at 45 degrees from vertical. 3. Figure 3. Replace the screws to lock the bracket in place. 	
<p>Figure 1</p>	<p>Figure 2</p>
<p>Figure 2</p>	<p>Figure 3</p>

Placement

Your Bird Gard Super Pro Amp will protect an area up to 600 feet in all directions under ideal conditions.

Factors to consider when selecting the best location include:

- Birds typically feed from the perimeter of the crop and work their way in. Place Bird Gard units so the sound protection covers beyond the edges of the crop.
- Mount the 20-Speaker Tower at least 5 - 10 feet above terrain, crops, trees and other obstacles.
- Placing Bird Gard units on top of a hill or small rise will result in give better coverage than at the bottom of a valley. The greater the height the further the sounds will travel.
- Wind can blow sound waves. If the area you need to protect has consistent wind coming from the same direction, position your Bird Gard unit more “upwind.”
- Trees surrounding crops provide birds with a safe perch allowing them to fly in, grab food and fly out. Your Bird Gard unit should be positioned within 300 feet of any trees bordering your crops. If birds are roosting in the trees at night the TIME OF OPERATION should be set to 24-HOUR.
- Lakes, rivers and wetlands are a favorite resting and hiding place for birds. Your Bird Gard unit should be positioned so the sound extends well beyond any areas where birds congregate.
- Neighbors, businesses and others may not appreciate hearing the bird sounds. At the limits of the effective range the sounds from your Bird Gard unit may be annoying to neighbors. Avoid placing the unit where it becomes a nuisance.

**If you have any questions about the use or operation of this product
call us toll free at 888-332-2328 Monday - Friday 7:30 am-4:00 pm Pacific Time.
Outside the U.S. and Canada call 541-549-0205**

Building a Mounting Pole or Mast

CAUTION: TALL POLES AND MASTS CAN BE HEAVY AND POTENTIALLY DANGEROUS. USE EXTREME CAUTION WHEN CONSTRUCTING OR WORKING AROUND TALL POLES AND MASTS. BIRD GARD LLC., ASSUMES NO RESPONSIBILITY FOR DAMAGES OR INJURIES.

Things to consider:

- The 20-Speaker Tower is designed to mount onto a 1 in. (outside diameter) pipe at least 14 in. long. 1 in. conduit works well as it is light, rigid, inexpensive and available in 10 ft. lengths making it ideal for low crops, vineyards and bushes.
- You will want to take down your Bird Gard unit after harvest and store it in a dry location until the next season.

A suggestion for masts up to 30 feet tall:

1. Use 10 ft. lengths of galvanized 1 in. (O.D.) steel water pipe or rigid conduit, securely fastened together with threaded couplers.
2. Slide the 20-Speaker Tower over the top of the pipe and tighten the set screw in the collar at the base.
3. Stand the pole assembly up just inside the drip line of a tree and securely tie the pole to a few heavy branches.
4. Drive one or more T-Posts into the ground at the base of the pole and secure with wire. The assembled mast will sway in the wind but will not adversely affect the performance of your Bird Gard units.

For masts taller than 30 feet:

1. Use 10 ft. lengths of galvanized steel water pipe or similar, securely fastened together with threaded reducing couplers.
2. Starting with 3 in. pipe, step the size down with each length of pipe.
3. The last 10 ft. can be 1 in. (O.D.) conduit hose clamped to the final section of galvanized pipe.

A semi-permanent mast support can be made by digging a hole 4 ft. deep and 4 ft. round. In the middle of the hole sink a length of galvanized water pipe large enough that your mast will easily fit inside. Make sure at least 2 ft. of pipe is above ground level. Fill the area around the pipe with packed sand, leaving the last foot filled with concrete to form a cap over the hole. Your mast can be dropped into the galvanized water pipe “receiver” for support. At the end of harvest the mast can be lifted out and positioned on the ground for disassembly and storage.

Installation

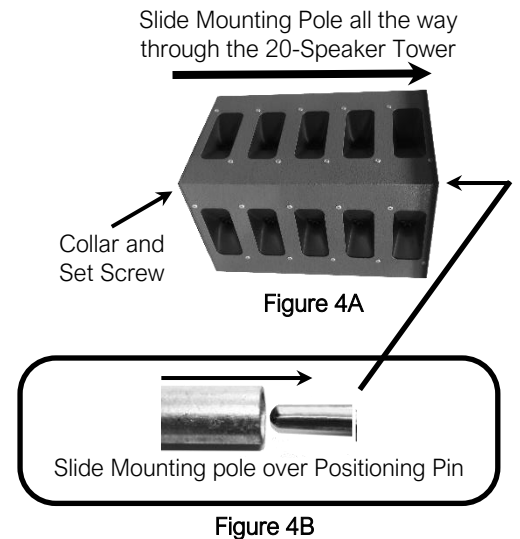
Note: Foliage, trees, and other obstructions severely reduce the effective range of Bird Gard units. It is critical that the 20-Speaker Tower is mounted 5 - 10 feet above all obstructions to achieve the maximum protection.

Mounting Pole or Mast

1. The Mounting Pole or Mast will need to be supported by a T-Post, fence post, tree or other means. The Pole Support should be in place before proceeding.

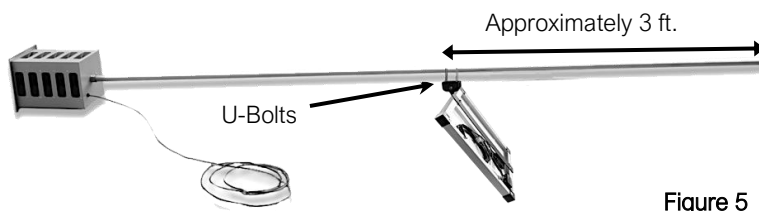
20-Speaker Tower

2. Cut the zip-tie securing the speaker cable to the 20-Speaker Tower.
3. Slide the 20-Speaker Tower over the Mounting Pole (Figure 4A) **until it slides over the positioning pin inside the top of the Tower (Figure 4B).**
4. Securely tighten the Set Screw in the Collar at the base of the 20-Speaker Tower.



Solar Panel

5. The Solar Panel **MUST** be installed facing **SOUTH** without being shaded by foliage or other obstructions. This may require mounting it above crops or trees to ensure it receives sufficient sunlight to recharge the battery.
6. With the glass side of the solar panel facing the 20-Speaker Tower, slide the U-Bolts in the Solar Panel Mounting Bracket over the lower end of the Mounting Pole approximately 3 feet from the bottom of the pole or above the foliage if necessary and tighten the U-Bolts (Figure 5).
7. Lean up the Mounting Pole with the 20-Speaker Tower on top, against the Pole Support and fasten the Mounting Pole to the Pole Support securely with wire or other semi-permanent means.
8. Rotate the solar panel so it faces **SOUTH** and tighten the Pivot Bolts, so the panel is at approximately 45 degrees.



Control Box Connections

9. Attach the Control Box to the Mounting Pole with the U-Bolts.
10. Feed the Speaker Cables through the Cable Strain Relief at the bottom of the Control Box. (Figure 6)
11. Attach the Speaker Cables from the 20-Speaker Tower to the screws marked "SPEAKER" on the faceplate of the control panel.
12. Locate the Control Box Connector Cable (grey 2 wire cable) and feed the end with the small connectors through the Cable Strain Relief.
13. Connect the RED wire to the screw marked "+" and the BLACK wire to the screw marked "-" under "12V BATTERY" on the faceplate of the control panel.
14. **MAKE SURE THE POWER SWITCH IS TURNED OFF BEFORE ATTACHING BATTERY CABLES TO BATTERY.**
15. Connect the other end of the RED wire to the "+" terminal on the 12-volt Deep Cycle battery (not included). Connect the BLACK wire to the "-" terminal on the battery.
16. Hand tighten the Tapered Cinch Nut on the bottom of the Cable Strain Relief to help keep insects and moisture out.

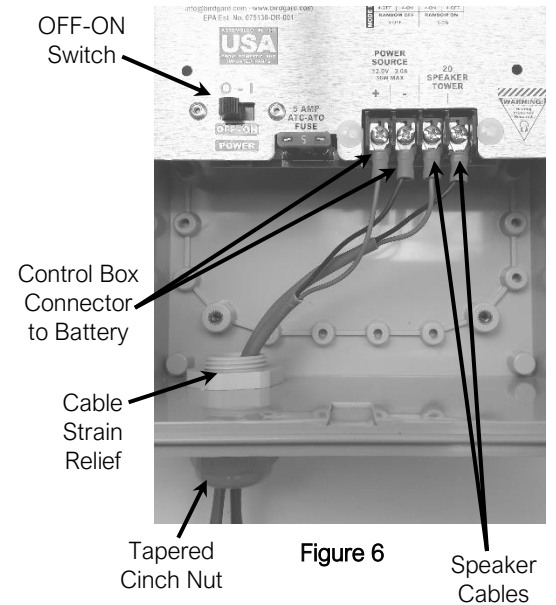


Figure 6

Solar Panel Connections

17. Cut the black zip-ties securing the RED and BLACK wires on the underside of the solar panel. (Figure 7)
18. Connect the RED wire to the "+" terminal on the 12-volt battery and connect the BLACK wire to the "-" terminal on the battery.

NOTE: Deep Cycle lead acid batteries (group size 27) are recommended. If using "Sealed Gel" type battery you will need to change the dip switch settings located on the back of the Solar Controller to prevent overcharging and damaging the battery. Lift the hinged Solar Controller panel and set switch 1 ON and switch 2 OFF.

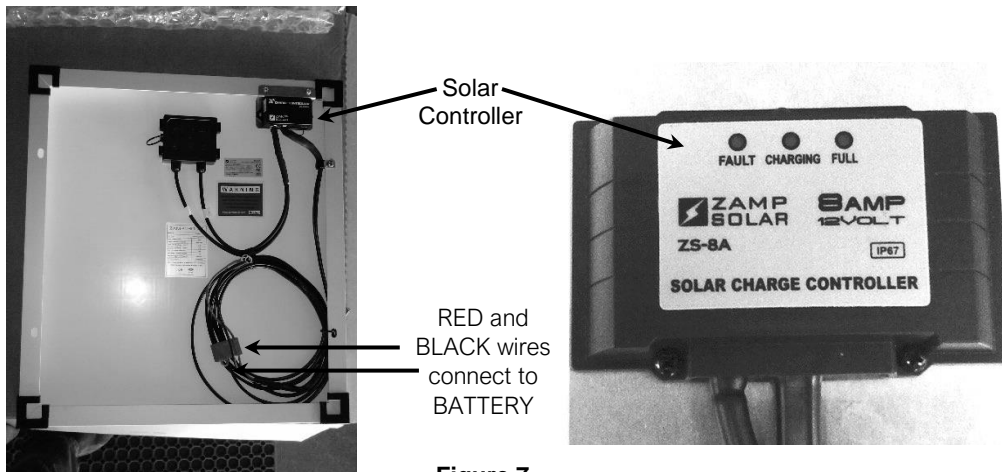


Figure 7

Charging Status Lights

- **Fault (Red):** The solar panel is not connected correctly.
- **Charging (Blue):** Charging properly.
- **Full (Green):** The battery is fully charged.

CAUTION: Your Bird Gard Super Pro Amp is capable of producing sounds up to 125 decibels. Hearing protection must be worn anytime the unit is on!



Control Box Settings

Repelling birds requires regular monitoring and active management. Birds are intelligent and highly adaptable, so it is important to create and maintain an environment the birds perceive as hostile and dangerous. This is achieved by playing the sounds frequently and at a high volume, otherwise the birds will not be fully repelled and will soon learn to adapt.

NOTE: The unit is preset at the factory to the recommended use settings below. Do not change these settings. Please see the “Bird Control Management Guidelines” section for more information.

Recordings

There are eight separate bird sounds pre-installed on the unit. The USB stick contains a backup copy of these sounds. The USB stick installs each bird sound with a corresponding number to the eight “RECORDINGS” dip switches to the left of the USB Drive. Initially all RECORDING switches should be turned ON. If the target birds begin returning, periodically change switch settings for the eight sounds (turning them ON or OFF).

NOTE: NEVER turn OFF the distress or alarm calls of the target birds you are trying to repel and always keep at least one predator bird sound turned ON.

Mode Settings

TIME OFF INTERVAL controls the time off periods between each playing of the bird recordings.

Setting	Time Off Duration	Time Off Switch #1	Time Off Switch #2
SHORT	17-50 Seconds	ON	OFF
MEDIUM	1:00-4:15 Minutes	OFF	ON
LONG	5:00-10:00 Minutes	ON	ON

NOTE: When the system is turned ON, the red ON LIGHT will be illuminated. Push the Mute Button or turn the Power Switch OFF before adjusting any settings.

When the Bird Gard unit is first installed the **TIME OFF INTERVAL** should be set to **SHORT** to create the greatest sense of danger and move the birds out of the area the fastest. NOTE: Increasing the TIME OFF INTERVAL may lower the effectiveness of your Bird Gard unit. (Figure 8)

Setting	Day/24Hr/Night Switch #3	Day/24Hr/Night Switch #4
DAY ONLY	ON	OFF
24-HOUR	OFF	ON
NIGHT ONLY	ON	ON

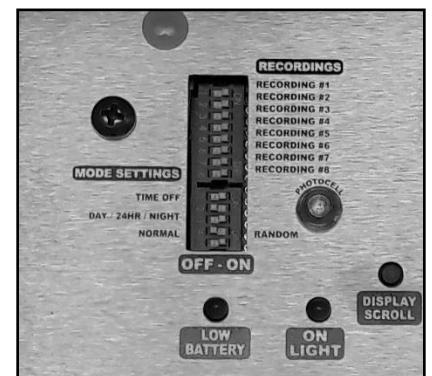
TIME OF OPERATION controls when the bird recordings play.

Birds are usually only active during the day, so the DAY ONLY is recommended. If birds are in the area at night set TIME OF OPERATION for 24-HOUR.

RANDOM OPERATION (Switch #5) should always be turned ON.

Volume

Should always be set to HIGH during operation, except when updating bird deterrent sounds.



Recommended Settings

Figure 8

Multi-Function Display

The multi-function LED display screen operates immediately when the control box is turned ON. The screen initially displays the Bird Gard LLC company name followed by the product name, Super Pro Amp. Then the screen indicates the number of the sound recording chip that is currently being played (i.e. "Playing Chip 203") followed by the software version. (Figure 9)



Figure 9

LED Display Information

The next display screen shows the individual sounds as they are being played, in a random order sequence. Note that only those sounds that are turned ON will be displayed. Any switch that is turned OFF will not be played or displayed. After all the selected sounds have played, there will be a random Time Off interval according to your chosen Mode Setting switch selection. The temporary time off will then count down until the next sound sequence is played. (Figures 10-11)



Figure 10



Figure 11

The multi-function LED display screen will remain illuminated for two minutes, and then will shut off to save energy. Press the Display Scroll button anytime to illuminate the screen again. Press this button multiple times to view your selected Recordings and Mode Settings, including showing which sound recordings are turned OFF.

Mute Button Operation

Your Bird Gard Super Pro AMP system includes a red Temporary Mute Button located on the right-hand side of the exterior enclosure (Figure 12).

While the system is operating, and the LED display is illuminated, simply press the Mute Button to mute all sounds for one hour. If the LED display screen is not illuminated, pressing the Mute Button once will then illuminate the display screen. Pressing the Mute Button once again will mute all sounds for one hour. Press the Mute Button one more time, and the sounds will resume playing.

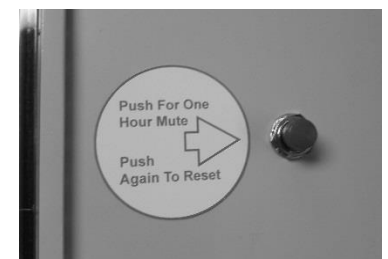


Figure 12

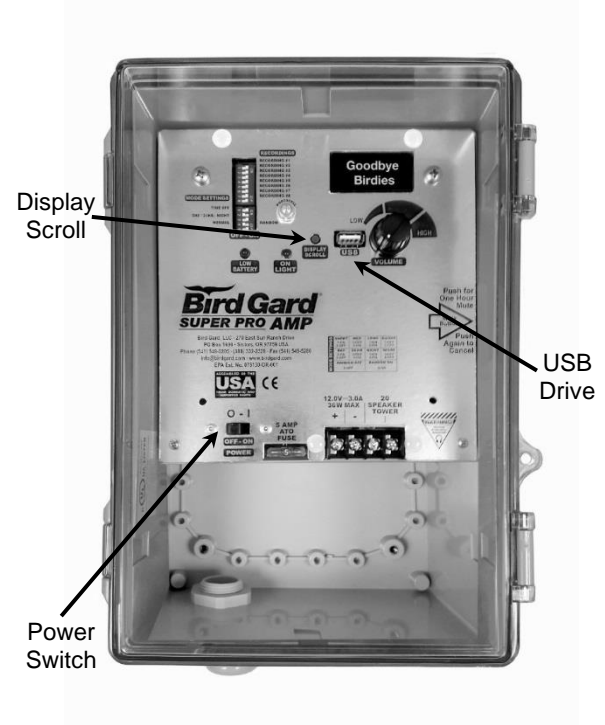
Updating Bird Deterrent Sounds

Your Bird Gard Super Pro Amp includes preinstalled bird deterrent sounds. A copy of your bird deterrent sounds is contained on the removable USB stick and are based on the list of birds you provided when your Bird Gard unit was ordered. The combination of bird sounds can be easily updated with the aid of a Windows computer with an available USB port.

1. Call a Bird Gard bird control specialist at 888-332-2328 for help in determining the correct Bird Deterrent Combination.
2. We will send you an email with nine individual files (eight “.bgx” Bird Gard proprietary audio files and one “.txt” file) containing your updated bird deterrent combination.
3. Insert the Bird Gard USB stick that came with your unit into your Windows computer. (Note: The USB update is not Mac compatible. Delete all “.bgx” or “.txt” files already on the USB stick.)

Note: Any USB stick can be used as long as there are not any “.bgx” or “.txt” files in the root directory.

4. From your email, drag and drop or copy and paste your new set of nine individual files to the USB stick. Do not edit or modify the files or the names of the files.
5. Remove the USB stick from your computer and take it to the Bird Gard Super Pro AMP unit(s) that you want to update.
6. Prior to inserting the USB stick into the Bird Gard unit, please ensure that the unit is turned OFF.
7. Install the USB stick into the USB port on your Bird Gard unit.
8. Turn the Bird Gard unit back ON. The display will show “USB Update” and will start to download the new audio files. This download will complete in about two minutes. Do not remove the USB stick while the file download is in process. The display will show the progress of the download, and once completed the display will read “Update Complete. Remove USB stick.”
9. Remove the USB stick and be certain that the volume is all the way up. Close the cover latches securely.



Troubleshooting

PROBLEM	POSSIBLE CAUSE	SOLUTION
No Sound	Volume turned down	Turn volume up.
	Mute button pressed	Press mute button once again.
	Dead battery	Connect the battery to a battery charger and see if it will hold a charge. Replace if necessary.
	Loose battery connection	Verify all battery connections are tight.
	All RECORDINGS are turned OFF	Verify all RECORDINGS are switched to ON.
	Display shows no sounds being played	Verify that RECORDINGS are switched to ON using dip switches.
	TIME OF OPERATION set to DAY ONLY without enough light	Change the TIME OF OPERATION to the 24-HOUR Mode Setting.
Was working, but stopped	The battery is dead	Connect the battery to a battery charger and see if it will hold a charge. Replace if necessary.
	Mute button pressed	Press mute button once again
	Corrosion of the battery post connections	Disconnect and carefully clean both battery connections (+) and (-) before reconnecting cables.
	Solar Panel is not getting enough sunlight	Reposition the Solar Panel and recharge the battery.

If you have any questions about the use or operation of this product call us toll free at 888-332-2328 Monday - Friday 7:30 am-4:00 pm Pacific Time. Outside the U.S. and Canada call 541-549-0205

Warranty

1-YEAR ABSOLUTE SATISFACTION GUARANTEE:

IF YOU ARE NOT COMPLETELY SATISFIED WITH THE PURCHASE OF ANY BIRD GARD® PRODUCT, CONTACT THE PLACE OF PURCHASE OR OUR CUSTOMER SERVICE DEPARTMENT WITHIN 1 YEAR OF YOUR DATE OF PURCHASE FOR PROMPT AND COURTEOUS REPLACEMENT, REPAIR OR REFUND.

BIRD GARD LLC'S LIABILITY HEREUNDER SHALL BE LIMITED TO REFUNDING THE PURCHASE PRICE PAID BY CUSTOMER OR REPLACING THE PRODUCT, IN BIRD GARD'S SOLE DISCRETION, AND UNDER NO CIRCUMSTANCES SHALL BIRD GARD BE LIABLE FOR ANY CONSEQUENTIAL OR INCIDENTAL DAMAGES, OF ANY NATURE WHATSOEVER, ARISING FROM THE CUSTOMER'S USE OR OPERATION OF THE PRODUCT; PROVIDED, HOWEVER, THAT THIS LIMITATION MAY BE LIMITED BY STATE LAW.

EXCEPT FOR THE EXPRESS ONE-YEAR LIMITED WARRANTY BIRD GARD DISCLAIMS ALL OTHER WARRANTIES, EXPRESS OR IMPLIED, RELATING TO THE PRODUCT, INCLUDING, BUT NOT LIMITED TO, ANY IMPLIED WARRANTY OF MERCHANTABILITY OR IMPLIED WARRANTY OF FITNESS; AND THE EXPRESS WARRANTIES ARE IN LIEU OF ALL OBLIGATIONS OR LIABILITIES ON THE PART OF BIRD GARD ARISING OUT OF OR IN CONNECTION WITH THE SALE, USE, OR OPERATION OF THE PRODUCT.

**If you have any questions about the use or operation of this product
call us toll free at 888-332-2328 Monday - Friday 7:30 am-4:00 pm Pacific Time.
Outside the U.S. and Canada call 541-549-0205**



P.O. Box 1690

Sisters, OR 97759

Toll Free 888-332-2328

Outside the U.S. and Canada 541-549-0205

www.BirdGard.com info@BirdGard.com

THE SOUND SOLUTION TO BIRD CONTROL